

## SURELOCK CLAW COUPLINGS & ACCESSORIES

### Surelock Hose End

	Size (Inch)	Part No.
Small Head	3/8	08/013/25/000
	1/2	08/013/22/000
	3/4	08/013/19/000
	1	08/013/16000
Medium Head	1 1/4	08/013/13/000
	1 1/2	08/013/10/000
Large Head	2	08/013/06/000
	3	08/013/35/000



### Surelock Hose End with Crimped Ferrule

Size (Inch)	Part No.
1/2	SL15HCF
3/4	SL20HCF
1	SL25HCF



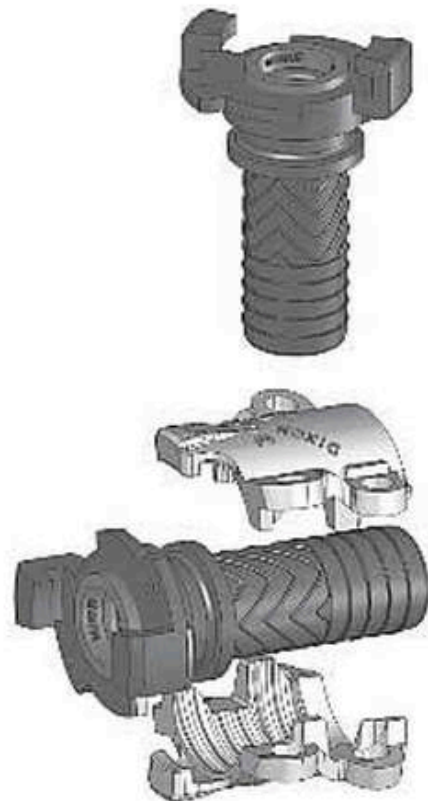
### Surelock Hose End "Cor-O-Zig" Pattern

The unique "Cor-o-zig" pattern has been incorporated in our medium and large Surelock hose end range, and is already featured in our "Boss" ground joint coupling stems, and "Boss" male stems.

Designed to be used with "Boss" Clamps (refer to pages 132 - 133 for full range), the "Cor-o-zig" design not only grips horizontally as the clamp tightens to prevent coupling pull-out, but also grips obliquely to prevent the coupling turning in the hose.

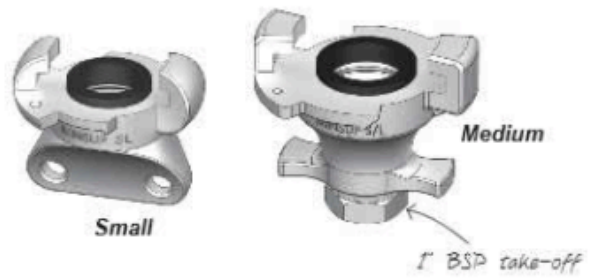
Note: rotation of the stem while under pressure can damage the hose tube from the cutting action of the corrugated edges. This may cause premature hose failure

	Size (Inch)	Part No.
Medium Head	1 1/2	08/013/33/000
	2	08/013/34/000
Large Head	3	08/013/35/000



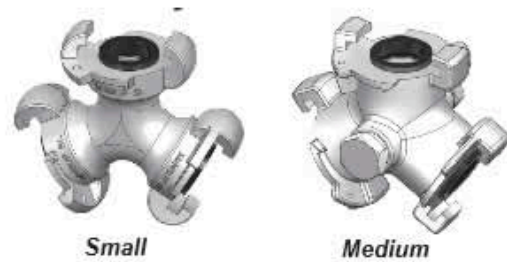
**Surelock Standard and Blank End**

	<b>Size (Inch)</b>	<b>Part No.</b>
Small	3/8 - 1 1/4	08/013/26/000
Medium	1 1/2 - 2	08/013/29/000



**Surelock Three Way Standard**

	<b>Size (Inch)</b>	<b>Part No.</b>
Small	3/8 - 1 1/4	08/013/27/000
Medium	1 1/2 - 2	08/013/28/000



**2" shouldered X Surelock Coupling**

<b>Part No.</b>	<b>WP (psi)</b>
SLV50	500



**Small to Medium Surelock Adaptor**

**Part No.**

08/013/31/000



**Surelock Safety Locking Pin**

**Part No.**

05/010/02/000



**Surelock Seal Insertion Tool & Seals**

	<b>Size (Inch)</b>	<b>Part No.</b>	<b>Description</b>
Small	3/8 - 1 1/4	IT100SL	Small Seal Insertion Tool
Medium	1 1/2 - 2	IT200SL	Medium Seal Insertion Tool
Large	3	IT300SL	Large Seal Insertion Tool



Small



Medium



Large

**Surelock Composite Bellows Seal**

	<b>Size (Inch)</b>	<b>Seal Size</b>	<b>Part No.</b>
Composite	3/8 - 1 1/4	Small	05/007/07/000
	1 1/2 - 2	Medium	05/007/05/000
	3	Large	08/007/09/002
Viton	3/8 - 1 1/4	Small	05/007/07/000V
	1 1/2 - 2	Medium	05/007/05/000V
	3	Large	08/007/09/002V

