

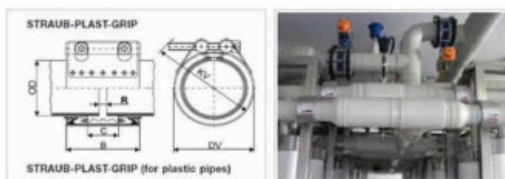
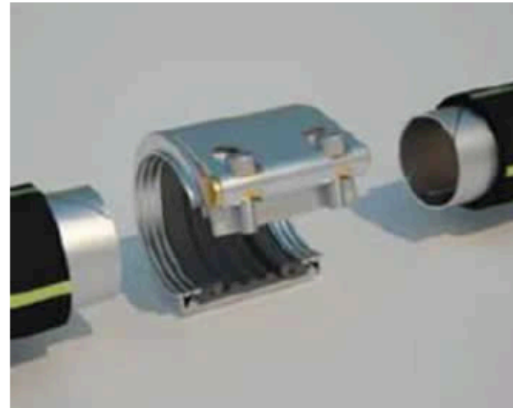
### Straub Plast / Combi Grip Pipe Connectors

#### Straub Plast Grip

STRAUB PLAST GRIP  $\varnothing$  40.0 - 160.0 mm Axial restraint pipe coupling for plain-ended plastic pipes.

Used in the gas and water supply industries as well as in industrial pipe line construction. For vacuum or pressure pipes, for thick-walled PE pipes (require stiffening rings) as well as thin-walled PVC pipes. The STRAUB PLAST GRIP is the ideal way of connecting plastic pipes.

Example of an application - Potable Water Processing, Local Community of Saviese, Switzerland: Supply line



connected with STRAUB PLAST GRIP 110 mm.

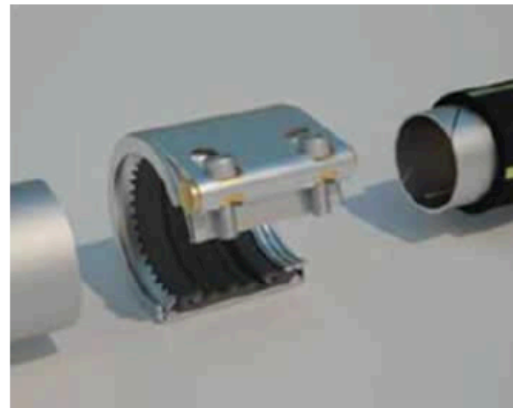
#### Straub Combi Grip

STRAUB COMBI GRIP  $\varnothing$  40.0 - 160.0 mm Practical - for transitions.

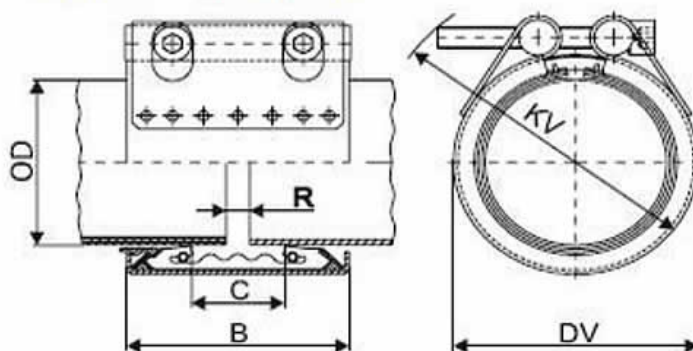
The STRAUB-COMBI-GRIP ensures a perfect connection at transitions between plastic and metal pipes. The advanced technology and high-specification manufacture ensure increased safety and reliability wherever this coupling is used.

Joins plain-ended plastic and metal pipes and compensates for differing outside diameters. Non-weathering and no pipe-end machining required. Note PE pipes require stiffening rings.

Fire safety system for alcohol tank farm in Switzerland - Fire-fighting water pipes with transitions from stainless steel to plastic (PE).



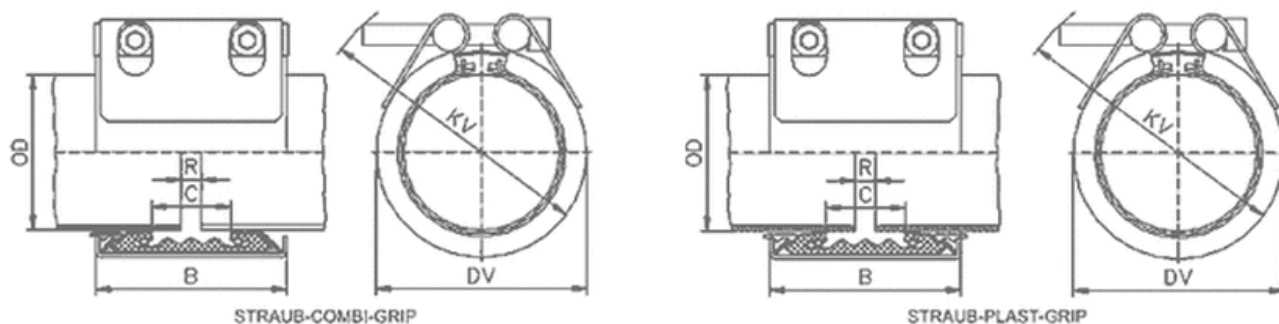
### STRAUB-COMBI-GRIP



### STRAUB-COMBI-GRIP (for transitions)



Components / Materials	W1	W2	W4	W5
Casing		AISI 304	AISI 304	
Bolts		AISI 4135	A4 - 80	
Bars		AISI 12 L 14, galvanised	AISI 304	
Anchoring rings		AISI 301 / 304	AISI 304	
Strip insert (option)		AISI 316 L / PVDF	AISI 316 L / PVDF	
Sealing sleeve EPDM	Temp.: -20°C up to +100°C Medium: all qualities of water, waste water, air, solids and chemical products			
Sealing sleeve NBR	Temp.: -20°C up to +80°C Medium: water, gas, oil, fuel and other hydrocarbons			



### STRAUB-COMBI-GRIP

OD [mm]	Clamping range		PS [bar]	B [mm]	C [mm]	DV [mm]	KV [mm]	R without strip insert [mm]	R with strip insert [mm]	Torque rate [Nm]	Allen head [mm]	Thread M...
	Plastic [mm]	Metal [mm]										
40.0/38.0	39.0 - 40.5	37.5 - 39.0	16.0	61	19	60	90	5	5-10	15	6	8
40.0/42.4	39.0 - 40.5	42.0 - 43.5	16.0	61	20	63	95	5	5-10	15	6	8
50.0/48.3	49.0 - 50.5	47.8 - 49.0	16.0	61	26	70	100	5	5-10	15	6	8
63.0/60.3	62.0 - 64.0	59.7 - 61.0	16.0	76	32	85	115	5-10	5-25	20	6	8
75.0/76.1	74.0 - 76.0	75.0 - 77.5	16.0	94	39	100	137	5-10	5-25	25	8	10
90.0/88.9	89.0 - 91.0	87.0 - 90.0	16.0	94	39	118	152	5-10	5-25	25	8	10
110.0/108.0	109.0 - 111.0	106.5 - 110.5	16.0	94	39	135	167	5-10	5-25	25	8	10
110.0/114.3	109.0 - 111.0	112.0 - 116.0	16.0	97	45	139	172	5-10	5-25	25	8	10
114.3/114.3	113.0 - 115.0	112.0 - 116.0	16.0	94	39	140	177	5-10	5-25	25	8	10
140.0/139.7	139.0 - 142.0	137.5 - 141.0	16.0	109	43	168	200	5-15	5-30	60	10	12
160.0/159.0 <sup>1</sup>	159.0 - 162.0	157.0 - 160.5	16.0	109	43	188	215	5-15	5-30	60	10	12

### STRAUB-PLAST-GRIP

OD [mm]	Clamping range [mm]	PS [bar]	B [mm]	C [mm]	DV [mm]	KV [mm]	R without strip insert [mm]	R with strip insert [mm]	Torque rate [Nm]	Allen head [mm]	Thread M...
40.0	39.0 - 40.5	16.0	61	19	60	90	5	5-15	15	6	8
50.0	49.0 - 50.5	16.0	61	20	70	100	5	5-15	15	6	8
63.0	62.0 - 64.0	16.0	76	26	85	115	5-10	5-20	20	6	8
75.0	74.0 - 76.0	16.0	94	32	99	137	5-10	5-25	25	8	10
90.0	89.0 - 91.0	16.0	94	39	118	152	5-10	5-25	25	8	10
110.0	109.0 - 111.0	16.0	94	39	135	167	5-10	5-25	25	8	10
114.3	113.0 - 115.0	16.0	94	39	139	172	5-10	5-30	25	10	12
125.0	124.0 - 126.0	16.0	94	43	152	185	5-15	5-30	60	10	12
140.0	139.0 - 142.0	16.0	108	43	168	200	5-15	5-30	60	10	12
160.0 <sup>1</sup>	159.0 - 162.0	16.0	109	43	188	215	5-15	5-25	60	10	12

#### Remarks:

- Follow fitting / disassembly instructions
- PS = Working pressure considering the application loads  
Test pressure = PS x 1.5 (for example industry, water supply etc.)
- For the installation of pipes of pipes made of HDPE and PP, STRAUB stiffening rings are required
- Strip inserts are required for special applications

<sup>1</sup> Available in version W2 only (anchoring ring on the plastic end made of 1.0036, galvanized)