

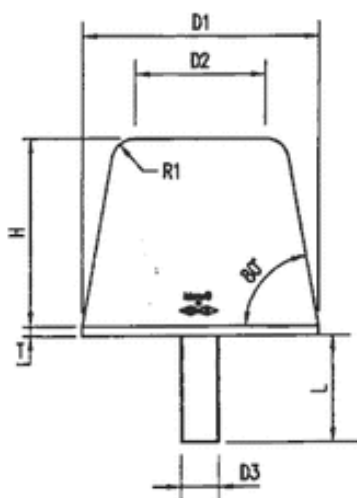
## Rubber Buffers

### TECHNICAL SPECIFICATIONS:

Manufactured from a high quality impact resistant rubber compound vulcanised onto a coated steel backing plate.

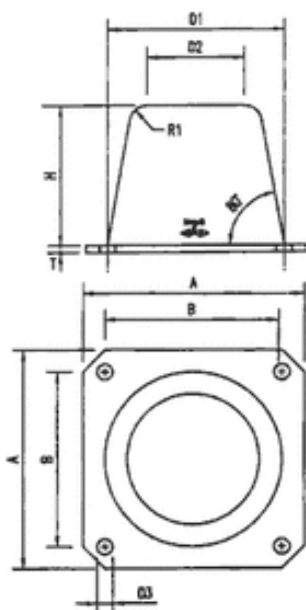
### SELECTION TABLE:

#### Stud Type



	Part No.	D1	D2	D3	R1	H	L	T
Stock	99725/025	25	18	M6	3	20	10	2
Stock	99725/040	40	27	M8	5	32	28	2
Stock	99725/050	50	38	M10	5	50	27	3
	99725/063	63	45	M10	5	50	27	3
	99725/080	80	57	M12	6	63	37	3
	99725/100	100	73	M16	10	80	45	4
	99725/125	125	92	M16	13	100	45	4
	99725/160	160	114	M20	20	125	48	6
	99725/200	200	147	M20	25	160	48	6
	99725/250	250	183	M24	32	200	50	8

#### Plate Type



Part No.	D1	D2	D3	R1	A	B	H	T
99726/080	80	57	9	6	100	80	63	3
99726/100	100	73	9	10	125	100	80	4
99726/125	125	92	11	13	160	125	100	4
99726/160	160	114	11	20	200	160	125	6
99726/200	200	147	13	25	250	200	160	6
99726/250	250	183	13	32	315	250	200	8