

## ENGINE COUPLINGS

Poly Flex Drive Couplings provide a sacrificial link for driveline and gearbox protection.

The couplings isolate torsional drivetrain vibration and gearbox chatter. They prolong bearing and seal life and reduce thrust induced driveline misalignment.

The Polyflex Flexible Disc Transmission allows smoother directional changes at the gearbox.

All couplings have been tested to DNV Standards. Datasheets & DNV Certification are available on request.

### Gearbox Flange Type

Drive bushes and threaded inserts are AS1443 S1214 Bright Steel.

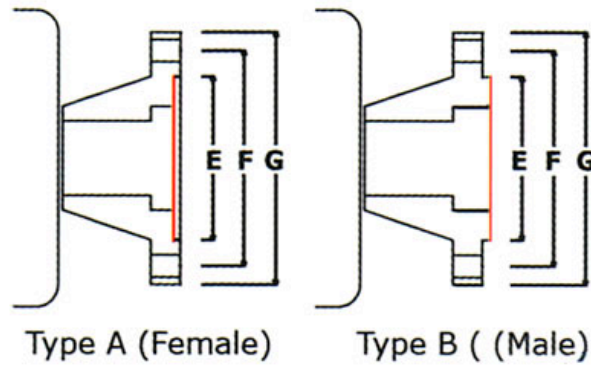
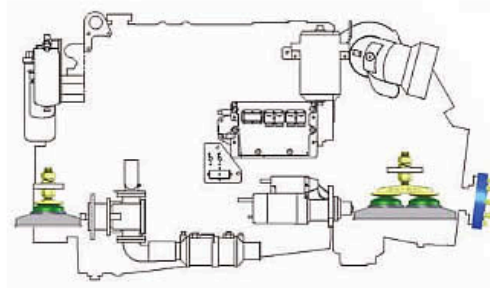
All Imperial bolts are Grade 5 & 8 high tensile. SHCS are grade 10 & 12 High Tensile.

Socket Head Cap Screws are Grade 10 & 12 High Tensile.

All steel parts are SAS Cobalt Zinc for extra wear and protection.

### Important Note:

All installations of this series require a Flywheel/Coupling/Yoke Adapter to be fitted.



POLYMER CODE	95A	90A	80A
HARDNESS SHORE A	95	90	83
TENSILE STRENGTH - PSI	6500	4800	4500

### Polyflex Couplings for Spicer Series

MODEL	PCD (F)	OD (G)	No. & Size of Bolts	Spigot (E)	Thickness (A)	Flange Dia.(C)	Flange Type	Rating++ Blue(95)	Rating++ Red(90)	Rating++ Green(80)
484	3 1/8"	5"	4x3/8UNF(rect)	2 3/8"	1"	3 13/16"	A		309	171
545	3 3/4"	5 9/32"	4x7/16UNF(rect)	2 3/4"	1 1/4"	4 9/16"	A	563	335	260
547	3 3/4"	6"	4x7/16UNF(rect)	2 3/4"	1 1/4"	4 9/16"	A	563	335	260
1550	4 3/4"	7"	4X1/2UNF(rect)	3 3/4"	1 7/16"	5 3/4"	A	1200	670	360
1600	6 1/8"	8 1/2"	8x3/8UNF(45deg)	6 5/8"	1"	6 7/8"	A	2152	1536	
1700	7 1/4"	9 1/2"	8x3/8UNF(45deg)	7 3/4"	1"	9"	A	2370	1690	

Spicer® Series	Poly Flex Model
1310	484
1350	547 or 545
1410	547 or 545
1480	1550
1510	1550
1550	1550
1610	1600
1710	1700



Poly Flex Model	Coupling Bolt Tightening Torque	
	ft-lb	N-m
484	24	32
545	35	48
547	35	48
1550	40	54
1600	24	32
1700	24	32

Flexible Disc Coupling Specification Chart

MODEL	PCD (F)	OD (G)	No. & Size of Bolts	Spigot (E)	Thickness (A)	Flange Dia.(C)	Flange Type	Rating++ Blue(95)	Rating++ Red(90)	Rating++ Green(80)	Weight kg.
303	97mm	122mm	3x3/8UNF	1" Pilot	16mm	3 leg	Plain		180		0.43
304	4"	5 1/4"	3x3/8UNF	1" Pilot	5/8"	3 leg	Plain		210		0.43
Rolco3	2 1/4"	4"	3x3/8UNF	1"	1"	3"	B	210	125		0.51
404	3 3/8"	5"	4X3/8UNF	2 1/2"	1"	4"	A	610	496	230	0.60
414	70mm	125mm	4xM8	57mm	25mm	105mm	A	610	496	230	0.62
416	85mm	152mm	6xM10	65mm	25mm	105mm	B	610	496	230	0.70
424	78mm	127mm	4xM10	50mm	25mm	105mm	A	610	496	230	0.80
434	3 1/4"	5"	4X3/8UNF	2 1/2"	1"	4"	A	610	496	230	0.76
434P	3 1/4"	5"	4X3/8UNF	2 5/8"	1"	4"	A	610	496	230	0.78
454	90mm	140mm	4xM10	60mm	25mm	100mm	A	610	496	230	0.82
464	80mm	127mm	4xM10	60mm	25mm	100mm	B	610	496	230	0.80
474	75mm	120mm	4x7/16UNF	45mm	25mm	100mm	A	703	418	325	1.20
494	74.5mm	127mm	4xM8	47mm	25mm	100mm	B	703	418	325	0.65
514	4 1/8"	6 1/8"	4x7/16UNF	2 7/8"	1 1/8"	5"	A	703	418	325	1.37
524	4 1/4"	6 1/8"	4x7/16UNF	2 1/2"	1 1/8"	5"	A	703	418	325	1.37
524IRM	4 1/4"	6 1/8"	4x7/16UNF	2 1/2"	1 1/8"	5"	A	558	378	280	1.24
534	100mm	152mm	4xM10	65mm	25mm	120mm	A	703	418	325	0.95
546	3 7/8"	6"	6x7/16UNF	2 1/2"	1 1/4"	4 3/4"	B	1560	975		1.60
546IRM	3 7/8"	6"	6x7/16UNF	2 1/2"	1 1/4"	4 3/4"	B	1360	800		1.60
556	105mm	150mm	6xM10	60mm	32mm	125mm	A	610	496		1.11
566	100mm	152mm	6xM10	75mm	25mm	125mm	A	610	496		1.12
111	125mm	7 9/16"	3+3x1/2	Pilot	33mm	150mm	Plain	850	450		2.35
616 1/2A	4 3/4"	6 3/8"	6x1/2UNC	3"	1 1/2"	5 3/4"	A	2550	1600		2.44
616 1/2B	4 3/4"	6 3/8"	6x1/2UNC	3"	1 1/2"	5 3/4"	B	2550	1600		2.44
616 5/8	4 3/4"	6 3/8"	6X5/8UNC	3"	1 1/2"	5 3/4"	B	2750	1800		2.95
636	5 3/8"	7 1/4"	6x7/16UNF	3 1/4"	1"	6 3/4"	A	1560	975		2.40
646	125mm	160mm	6xM12	80mm	32mm	160mm	A	1560	975		2.44
656	4 3/4"	6 1/16"	6x5/8UNC	3"	1 1/2"	5 3/4"	B	2550	1600		2.95
818	4 3/4"	6 5/8"	3+3x5/8	Pilot	27mm	5 3/4"	Plain	2400	1680		2.90
2206	180mm	240mm	6xM20	140mm	38.1mm	220mm	A	4000	2800		6.35
2308	230mm	318mm	8xM20	150mm	38.1mm	255mm	B	8600			11.00
2808	280mm	360mm	8x7/8UNF	200mm	50mm	345mm	A	12470			17.07
2586	220mm	300mm	6xM20	140mm	42mm	258mm	B	8000			7.40
7206 5/8	6"	8 3/8"	6x5/8UNC	3 3/4"	1 1/2"	7 1/4"	B	4200	3200		4.37
7206 3/4	6"	8 3/8"	6x3/4UNF	3 3/4"	1 1/2"	7 1/4"	B	4500	3350		4.85
7306	152mm	195mm	6xM16	100mm	36mm	184mm	B	4200			3.55
7506	160mm	240mm	6xM20	100mm	38.1mm	220mm	A	4500			4.30
7606IRM	6"	7 1/4"	6xM16 SHCS	3 3/4"	1 1/4"	6"	B	2770			2.95
7608IRM	6"	7 1/4"	8xM16 SHCS	3 3/4"	1 1/4"	6"	B	3810			3.55

MODEL	PCD (F)	OD (G)	No. & Size of Bolts	Spigot (E)	Thickness (A)	Flange Dia.(C)	Flange Type	Rating++ Blue(95)	Rating++ Red(90)	Rating++ Green(80)	Weight kg.
8148	148mm	212mm	8xM14 SHCS	100mm	38mm	200mm	A	4500			4.56
8170	170mm	212mm	10xM14 SHCS	140mm	38mm	200mm	B	3500			4.56
3306	190mm	240mm	12xM14 SHCS	145mm	38mm	225mm	B	4000			5.87
9114	7 1/2"	241mm	8x5/8UNC	6"	1 1/2"	9"	B	5000			5.50
9114(3+3)	7 1/2"	241mm	6x5/8UNC	6"	1 1/2"	9"	B	4000			4.50
9858 5/8	7 1/2"	11"	8x5/8UNC	6"	1 1/2"	9"	B	6500	4500		5.66
9858 3/4	7 1/2"	11"	8x3/4UNF	6"	1 1/2"	9"	B	7000	5000		6.57
9934	200mm	280mm	8x3/4UNF	110mm	38.1mm	230mm	B	7000			6.57
10834	8 3/4"	12 1/2"	8x3/4UNF	5"	1 13/16"	10 1/2"	B	8600			9.56
11834	9 1/2"	13 1/4"	8x3/4UNF	6"	1 13/16"	11"	B	8600			10.37
11834A	9"	11 1/4"	8x3/4UNF	6"	1 13/16"	11"	B	8600			10.37
1306	130mm	162mm	6xM8	85mm	25mm	155mm	A	1000			1.50
19510	195mm	240mm	10xM8	180mm	27mm	220mm	A	1800			3.75
3408	340mm	460mm	8x1"UNS	180mm	60mm	415mm	B	30000			29.30

Match Your Gearbox Flange With Our Poly Flex Flexible Disc Coupling

Coupling	Gearbox
303	Arona
ROLCO 3	Rolco
404	ZF
424	Yanmar
434	Borg Warner, Hurth, Newage PRM, Technodrive, ZF
464	Volvo
494	Bukh
514	Paragon
524	Borg Warner, Hurth, Newage, Technodrive, TwinDisc, Volvo, Yanmar, ZF
534	Yanmar
546	TwinDisc, ZF
546IRM	TwinDisc, ZF
556	Yamaha
566	CMC
616 1/2A	Hurth, Newage PRM
616 1/2B	Borg Warner, Hurth, Newage
616 5/8	Newage PRM, TwinDisc, Technodrive, ZF
636	Paragon
656	Newage PRM, TwinDisc, Technodrive, ZF
2206	Various High Torque Application
2308	Various High Torque Application
2808	Various High Torque Application
3306	ZF
3408	Various High Torque Application
7206 5/8	Newage PRM, TwinDisc, ZF
7206 3/4	Newage PRM, TwinDisc, ZF
7606IRM	Newage PRM, TwinDisc, ZF
7608IRM	Newage PRM, TwinDisc, ZF
8148	Yamaha
8170	ZF
9114	TwinDisc
9114 (3+3)	TwinDisc
9858 5/8	Capitol, Tonanco, TwinDisc, Technodrive, ZF
9858 3/4	Capitol, Tonanco, TwinDisc, Technodrive, ZF
9934	TwinDisc
10834	Various High Torque Application
11834	Various High Torque Application