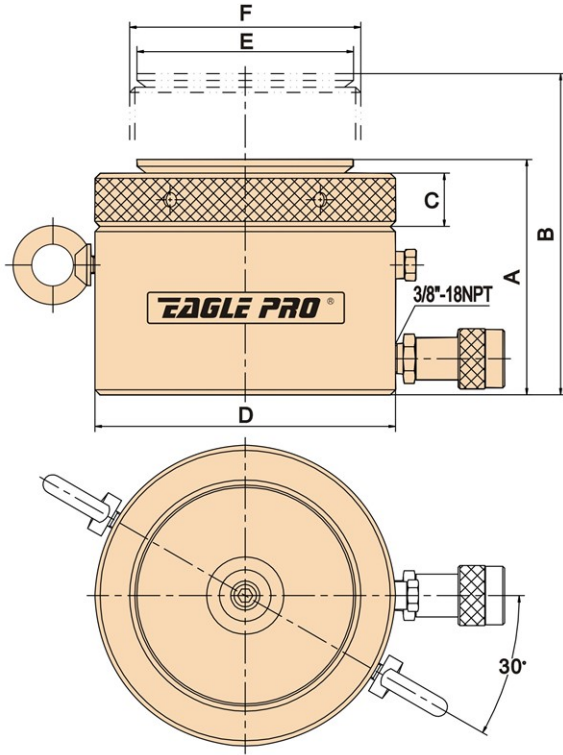


ELL Series Hydraulic Cylinders



Imperial Measurements

MODEL	CYLINDER CAPACITY @ 10,000 PSI (700 BAR)	STROKE	CYLINDER EFFECTIVE AREA	OIL CAPACITY	COLLAPSED HEIGHT	EXTENDED HEIGHT	LOCK NUT THICKNES	OUTSIDE DIAMETER	SADDLE DIAMETER	PISTON DIAMETER	WEIGHT
	METRIC TON (US TON)				IN	IN2	IN3	A	B	C	
ELL-602	60 (66)	1.97	13.42	26.41	4.91	6.88	1.10	5.50	3.77	TR104 X4	31.90
ELL-1002	100 (110)	1.97	22.18	43.65	5.38	7.35	1.22	6.88	4.95	TR134.5 X 6	51.70
ELL-1602	160 (176)	1.77	35.00	62.31	5.82	7.58	1.57	8.61	6.29	TR170 X 6	91.30
ELL-2002	200 (220)	1.77	43.94	77.82	6.09	7.86	1.69	9.63	7.07	TR 190 X6	125.40
ELL-2502	250 (275)	1.77	56.28	99.67	6.25	8.02	1.73	10.81	7.86	TR215 X 6	162.80
ELL-4002	400 (440)	1.77	85.48	151.39	7.00	8.76	2.16	13.76	9.83	TR265 X 6	294.80
ELL-5002	520 (572)	1.77	113.24	200.55	7.55	9.31	2.44	15.72	11.40	TR305 X 6	415.80

Metric Measurements

MODEL	CYLINDER CAPACITY @ 10,000 PSI (700 BAR)	STROKE	CYLINDER EFFECTIVE AREA	OIL CAPACITY	COLLAPSED HEIGHT	EXTENDED HEIGHT	LOCK NUT THICKNES	OUTSIDE DIAMETER	SADDLE DIAMETER	PISTON DIAMETER	WEIGHT
	METRIC TON (US TON)				MM	CM2	CM3	A	B	C	
ELL-602	60 (66)	50	86.6	433	125.00	175.00	28	140	96	TR104 X4	14.5
ELL-1002	100 (110)	50	143.1	715	137.00	187.00	31	175	126	TR134.5 X 6	23.5
ELL-1602	160 (176)	45	226.9	1021	148.00	193.00	40	220	159	TR170 X 6	41.5
ELL-2002	200 (220)	45	283.4	1275	155.00	200.00	43	245	180	TR 190 X6	57
ELL-2502	250 (275)	45	362.9	1633	159.00	204.00	44	275	200	TR215 X 6	74
ELL-4002	400 (440)	45	551.3	2481	178.00	223.00	55	350	250	TR265 X 6	134
ELL-5002	520 (572)	45	730.3	3286	192.00	237.00	62	400	290	TR305 X 6	189