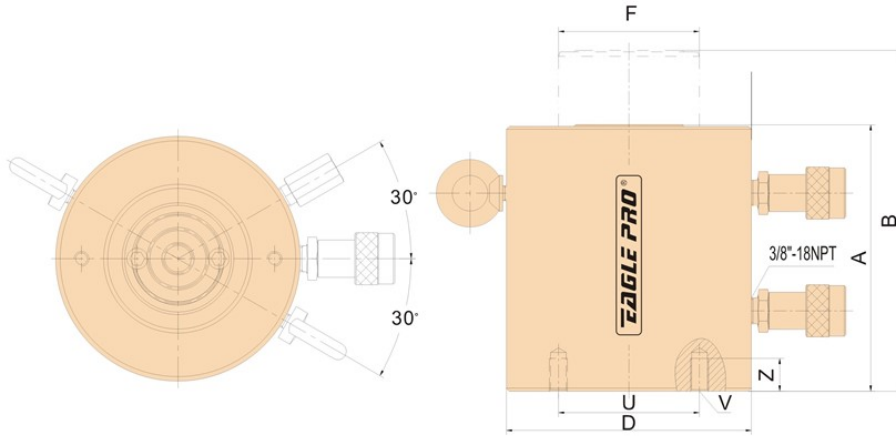


# EDX Series Hydraulic Cylinders



Imperial Measurements

MODEL	CYLINDER CAPACITY @ 10,000 PSI (700 BAR)	STROKE	MAX. CYLINDER CAPACITY		CYLINDER EFFECTIVE AREA		OIL CAPACITY		COLLAPSED HEIGHT	EXTENDED HEIGHT	OUTSIDE DIAMETER	PISTON DIAMETER	BASE FIXTURING HOLES			WEIGHT	OPTIONAL TILT SADDLE
			ADVANCE	RETRACT	ADVANCE	RETRACT	ADVANCE	RETRACT					BOLT CIRCLE	THREAD	THREAD DEPTH		
			METRIC TON (US TON)	IN	US TON	US TON	IN2	IN2	IN3	IN3	A	B	D	F	U	V	Z
EDX-502	50 (55)	1.97	58	28	11.69	5.72	23.00	11.25	6.38	8.35	5.08	2.76	2.56	2 X M12	35.20	STX-50	
EDX-504		3.94					45.99	22.51	8.35	12.28				2 X M12			41.80
EDX-506		5.91					68.99	33.76	10.31	16.22				2 X M12			50.60
EDX-508		7.87					91.99	45.02	12.28	20.16				2 X M12			57.20
EDX-5010		9.84					114.99	56.27	14.25	24.09				2 X M12			66.00
EDX-5012		11.81					137.98	67.53	16.22	28.03				2 X M12			74.80
EDX-1002T	100 (105)	1.97	102	48	20.57	9.59	40.47	18.88	7.05	9.02	6.50	3.74	3.74	2 X M12	61.60	STX-100	
EDX-1004T		3.94					80.95	37.76	9.02	12.95				2 X M12			74.80
EDX-1006T		5.91					121.42	56.64	10.98	16.89				2 X M12			88.00
EDX-1008T		7.87					161.89	75.52	12.95	20.83				2 X M12			101.20
EDX-10010T		9.84					202.37	94.40	14.92	24.76				2 X M12			114.40
EDX-10012T		11.81					242.84	113.28	16.89	28.70				2 X M12			127.60
EDX-1502T	150 (155)	1.97	154	75	31.16	15.05	61.31	29.65	7.72	9.69	8.11	4.73	5.12	2 X M12	105.60	STX-150	
EDX-1504T		3.94					122.61	59.29	9.69	13.62				2 X M12			125.40
EDX-1506T		5.91					183.92	88.94	11.65	17.56				2 X M12			145.20
EDX-1508T		7.87					245.22	118.58	13.62	21.50				2 X M12			165.00
EDX-15010T		9.84					306.53	148.23	15.59	25.43				2 X M12			187.00
EDX-15012T		11.81					367.83	177.88	17.56	29.37				2 X M12			206.80
EDX-2002T	200 (220)	1.97	203	97	41.60	19.47	81.98	38.34	8.35	10.31	9.29	5.31	6.50	3 X M12	149.60	STX-200	
EDX-2006T		5.91					245.95	115.02	12.28	18.19				3 X M12			204.60
EDX-20012T		11.81					491.90	230.03	18.19	30.00				3 X M12			283.80
EDX-2502T	250 (275)	1.97	279	115	56.28	23.13	110.75	45.51	9.25	11.22	10.83	6.50	7.48	3 X M12	228.80	STX-250	
EDX-2506T		5.91					332.24	136.52	13.19	19.09				3 X M12			305.80
EDX-25012T		11.81					664.47	273.04	19.09	30.91				3 X M12			422.40
EDX-3002T	300 (330)	1.97	348	118	70.12	23.82	137.98	46.88	12.28	14.25	12.20	7.68	7.09	3 X M16	389.40	STX-300	
EDX-3006T		5.91					413.95	140.64	16.22	22.13				3 X M16			490.60
EDX-30012T		11.81					827.89	281.27	22.13	33.94				3 X M16			644.60
EDX-4002T	400 (440)	1.97	425	145	85.48	29.20	168.21	57.49	14.72	16.69	13.78	8.46	8.07	3 X M16	594.00	STX-400	
EDX-4006T		5.91					504.62	172.48	18.66	24.57				3 X M16			726.00
EDX-40012T		11.81					1009.25	344.96	24.57	36.38				3 X M16			926.20
EDX-5002T	500 (550)	1.97	563	185	113.24	37.14	222.83	73.11	16.50	18.46	15.75	9.84	9.84	3 X M24	882.20	STX-500	
EDX-5006T		5.91					668.50	219.33	20.43	26.34				3 X M24			1056.00
EDX-50012T		11.81					1337.00	438.65	26.34	38.15				3 X M24			1317.80
EDX-6002T	600 (660)	1.97	659	234	132.57	47.06	260.87	92.66	16.89	18.86	16.93	10.43	10.83	3 X M24	1042.80	STX-600	
EDX-6006T		5.91					782.60	277.98	20.83	26.73				3 X M24			1243.00
EDX-60012T		11.81					1565.20	555.95	26.73	38.54				3 X M24			1542.20
EDX-8002T	800 (880)	1.97	896	277	180.45	59.63	355.08	109.77	19.06	21.02	19.88	12.60	12.99	3 X M24	1630.20	STX-800	
EDX-8006T		5.91					1065.24	329.31	22.99	28.90				3 X M24			1909.60
EDX-80012T		11.81					2130.49	658.62	28.90	40.71				3 X M24			2327.60
EDX-10002T	1000 (1100)	1.97	1118	398	225.14	80.15	443.01	157.81	22.20	24.17	22.05	13.58	14.76	3 X M24	2336.40	STX-1000	
EDX-10006T		5.91					1329.04	473.42	26.14	32.05				3 X M24			2668.60
EDX-100012T		11.81					2658.08	946.84	32.05	43.86				3 X M24			3165.80



Eagle Pro Industrial Tools, Inc.

11F, 1200 West 73rd Ave

Vancouver BC V6P 6G5, Canada

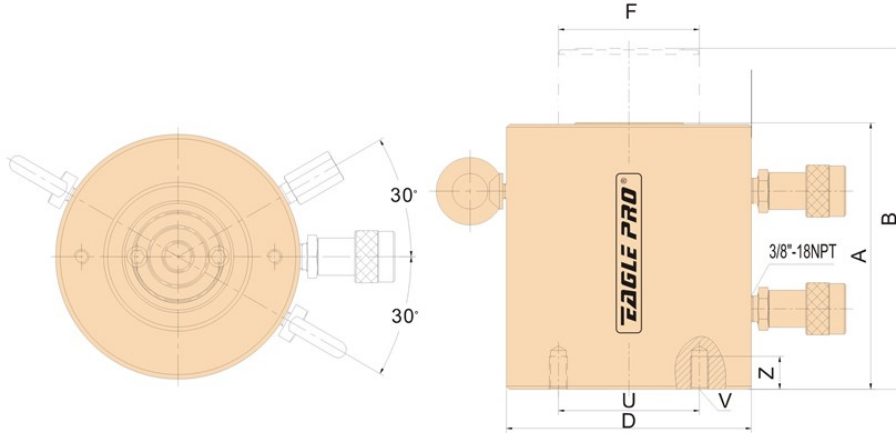
Phone: 888-845-3213

Fax: 888-735-3814

Email: sales@eagleprotools.com

Website: www.eagleprotools.com

# EDX Series Hydraulic Cylinders



## Metric Measurements

MODEL	CYLINDER CAPACITY @ 10,000 PSI (700 BAR)	STROKE	MAX. CYLINDER CAPACITY		CYLINDER EFFECTIVE AREA		OIL CAPACITY		COLLAPSED HEIGHT	EXTENDED HEIGHT	OUTSIDE DIAMETER	PISTON DIAMETER	BASE FIXTURING HOLES			WEIGHT	OPTIONAL TILT SADDLE
			ADVANCE	RETRACT	ADVANCE	RETRACT	ADVANCE	RETRACT					BOLT CIRCLE	THREAD	THREAD DEPTH		
			METRIC TON (US TON)	MM	METRIC TON	METRIC TON	CM2	CM2	CM3	CM3	MM	MM	MM	MM	MM	MM	MM
EDX-502	50 (55)	50	53	26	75.4	36.9	377	185	162	212	129	70	65	2 x M12	12	17	STX-50
EDX-504		100			75.4	36.9	754	369	212	312	129	70	65	2 x M12	12	19.5	
EDX-506		150			75.4	36.9	1,131	554	262	412	129	70	65	2 x M12	12	22	
EDX-508		200			75.4	36.9	1,508	738	312	512	129	70	65	2 x M12	12	25.5	
EDX-5010		250			75.4	36.9	1,885	923	362	612	129	70	65	2 x M12	12	29	
EDX-5012		300			75.4	36.9	2,262	1,107	412	712	129	70	65	2 x M12	12	31.5	
EDX-1002	100 (105)	50	93	43	132.7	61.9	664	309	179	229	165	95	95	2 x M12	12	29	STX-100
EDX-1004		100			132.7	61.9	1,327	619	229	329	165	95	95	2 x M12	12	34	
EDX-1006		150			132.7	61.9	1,991	928	279	429	165	95	95	2 x M12	12	40	
EDX-1008		200			132.7	61.9	2,655	1,237	329	529	165	95	95	2 x M12	12	46	
EDX-10010		250			132.7	61.9	3,318	1,546	379	629	165	95	95	2 x M12	12	53	
EDX-10012		300			132.7	61.9	3,982	1,856	429	729	165	95	95	2 x M12	12	79	
EDX-1502T	150 (155)	50	140	68	201	97.1	1,005	486	196	246	205	115	130	2 x M12	12	39	STX-150
EDX-1504T		100			201	97.1	2,010	971	246	346	205	115	130	2 x M12	12	52	
EDX-1506T		150			201	97.1	3,015	1,457	296	446	205	115	130	2 x M12	12	65	
EDX-1508T		200			201	97.1	4,020	1,942	346	546	205	115	130	2 x M12	12	78	
EDX-15010T		250			201	97.1	5,025	2,428	396	646	205	115	130	2 x M12	12	92	
EDX-15012T		300			201	97.1	6,030	2,913	446	746	205	115	130	2 x M12	12	105	
EDX-2002T	200 (220)	50	185	88	268.7	125.6	1,344	628	212	262	235	135	165	3 x M12	12	55	STX-200
EDX-2006T		150			268.7	125.6	4,031	1,884	312	462	235	135	165	3 x M12	12	91	
EDX-20012T		300			268.7	125.6	8061	3768	462	762	235	135	165	3 x M12	12	146	
EDX-2502T	250 (275)	50	254	105	362.9	149.2	1815	736	235	285	275	165	190	3 x M12	12	89	STX-250
EDX-2506T		150			362.9	149.2	5444	2289	335	485	275	165	190	3 x M16	12	136	
EDX-25012T		300			362.9	149.2	10887	4578	485	785	275	165	190	3 x M16	12	207	
EDX-3002T	300 (330)	50	316	108	452.2	153.7	2261	769	322	372	310	200	180	3 x M16	30	184	STX-300
EDX-3006T		150			452.2	153.7	6783	2306	422	572	310	200	180	3 x M16	30	232	
EDX-30012T		300			452.2	153.7	13566	4611	572	872	310	200	180	3 x M16	30	303	
EDX-4002T	400 (440)	50	386	132	572	188.4	2860	1055	374	424	350	215	205	3 x M16	30	270	STX-400
EDX-4006T		150			572	188.4	7580	3165	474	642	350	215	205	3 x M16	30	330	
EDX-40012T		300			572	188.4	15160	6330	624	924	350	215	205	3 x M16	30	421	
EDX-5002T	500 (550)	50	511	168	730.2	239.6	3651	1198	419	469	400	250	250	3 x M24	30	410	STX-500
EDX-5006T		150			730.2	239.6	10953	3594	519	669	400	250	250	3 x M24	30	480	
EDX-50012T		300			730.2	239.6	21906	7188	669	969	400	250	250	3 x M24	30	559	
EDX-6002T	600 (660)	50	599	213	854.9	303.6	4275	1518	429	479	430	265	275	3 x M24	36	474	STX-600
EDX-6006T		150			854.9	303.6	12824	4554	529	679	430	265	275	3 x M24	36	565	
EDX-60012T		300			854.9	303.6	25647	9108	679	979	430	265	275	3 x M24	36	710	
EDX-8002T	800 (880)	50	815	252	1163.6	384.7	5818	1924	484	534	505	320	330	3 x M24	36	741	STX-800
EDX-8006T		150			1163.6	384.7	17454	5771	584	734	505	320	330	3 x M24	36	868	
EDX-80012T		300			1163.6	384.7	34908	11541	734	1034	505	320	330	3 x M24	36	1058	
EDX-10002T	1000 (1100)	50	1017	362	1451.5	517.1	7258	2586	564	614	560	345	375	3 x M24	36	1062	STX-1000
EDX-10006T		150			1451.5	517.1	21773	7757	664	814	560	345	375	3 x M24	36	1213	
EDX-100012T		300			1451.1	517.1	43545	15513	814	1114	560	345	375	3 x M24	36	1439	