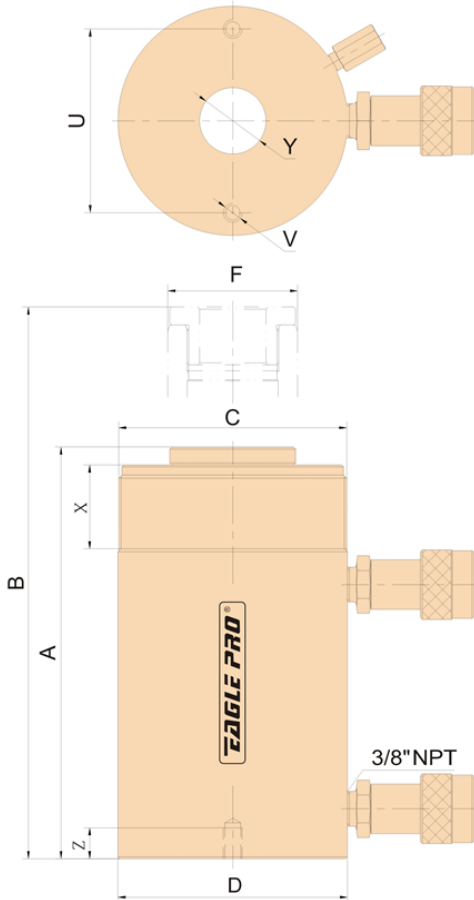


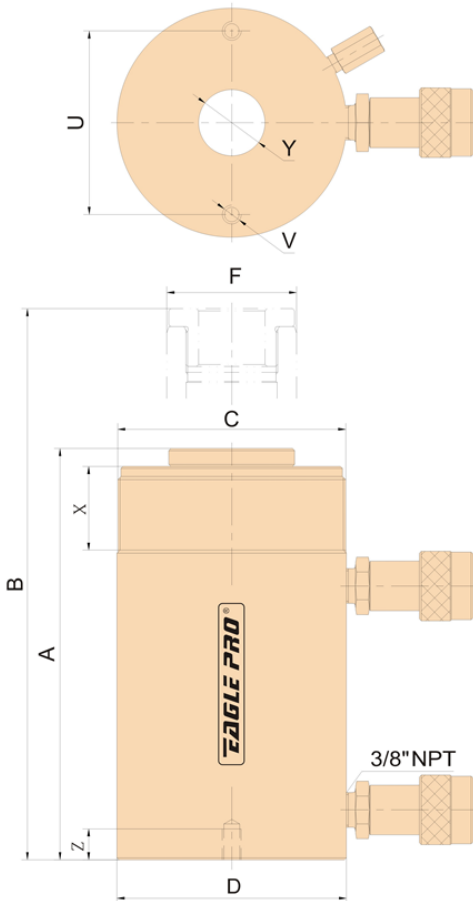
EDH Series Hydraulic Cylinders



Imperial Measurements

MODEL	CYLINDER CAPACITY @ 10,000 PSI (700 BAR)	STROKE	MAX. CYLINDER		CYLINDER EFFECTIVE AREA		OIL CAPACITY		COLLAPSED HEIGHT	EXTENDED HEIGHT	COLLAR THREAD	COLLAR THREAD LENGTH	OUTSIDE DIAMETER	PISTON DIAMETER	PISTON INTERNAL THREAD	PISTON THREAD LENGTH	BASE FIXTURING HOLES			CENTER HOLE DIAMETER	WEIGHT
			ADVANCE	RETRACT	ADVANCE	RETRACT	ADVANCE	RETRACT									BOLT CIRCLE	THREAD	THREAD DEPTH		
			IN	US TON	US TON	IN2	IN2	IN3									IN3	IN	IN		
EDH-307	30 (33)	7.01	36	25	7.39	5.02	51.79	35.20	12.99	20.00	4-1/2 - 12UN	1.65	4.53	2.56	1 13/16" - 16	22	3.63	3/8 - 16UN	0.61	1.31	40.26
EDH-3010		10.16	36	25			75.07	51.00	16.97	27.13					1 13/16" - 16	22					53.90
EDH-603	60 (66)	3.50	66	43	13.56	8.71	47.50	29.34	9.69	13.19	6-1/4 - 12UN	1.89	6.26	3.62	2 3/4" - 16	19	5.13	1/2 - 13UN	0.55	2.12	75.24
EDH-606		6.54	66	43			88.60	54.35	12.72	19.25					2 3/4" - 16	19					103.40
EDH-6010		10.12	66	43			137.17	84.67	17.24	27.36					2 3/4" - 16	25					81.40
EDH-1001		1.50	102	66			31.36	20.19	6.50	7.99					-	-					122.10
EDH-1003	95 (104.5)	3.00	102	66	20.97	13.50	62.73	40.38	10.00	12.99	8-3/8 - 12UN	2.36	8.35	5.00	4" - 16	25	7.00	3/8 - 11UN	0.79	3.11	156.20
EDH-1006		6.02	102	66			126.28	81.31	13.46	19.49					4" - 16	25					203.50
EDH-10010		10.12	102	66			212.11	136.58	18.11	28.23					4" - 16	25					226.60
EDH-1508		8.00	149	64			30.54	15.81	243.95	126.51					13.74	21.73					-

EDH Series Hydraulic Cylinders



Metric Measurements

MODEL	CYLINDER CAPACITY @ 10,000 PSI (700 BAR)	STROKE	MAX. CYLINDER		CYLINDER EFFECTIVE AREA		OIL CAPACITY		COLLAPSED HEIGHT	EXTENDED HEIGHT	COLLAR THREAD	COLLAR THREAD LENGTH	OUTSIDE DIAMETER	PISTON DIAMETER	PISTON INTERNAL THREAD	PISTON THREAD LENGTH	BASE FIXTURING HOLES			CENTER HOLE DIAMETER		WEIGHT
			ADVANCE	RETRACT	ADVANCE	RETRACT	ADVANCE	RETRACT									BOLT CIRCLE	THREAD	THREAD DEPTH	Z	Y	
			METRIC TON (US TON)	IN	Metric Ton	Metric Ton	CM2	CM2	CM3	CM3	MM	MM	MM	MM	MM	MM	MM	MM	MM	MM	MM	MM
EDH-307	30 (33)	178	33	22	47.7	32.4	849	577	330	508	4.1/2" - 12 UN	42	114	65	1 13/16" - 16	22	92	3/8" - 16 UNC	15.5	33.3	21	
EDH-3010		258	33	22	47.7	32.4	1231	836	431	689	4.1/2" - 12 UN	42	114	65	1 13/16" - 16	22	92	3/8" - 16 UNC	15.5	33.3	27	
EDH-603	60 (66)	89	60	39	87.4	56.2	778	481	246	336	6.1/4" - 12 UNC	48	159	92	2 3/4" - 16	19	130	1/2" - 13 UNC	14	53.8	28	
EDH-606		166	60	39	87.4	56.2	1451	891	323	489	6.1/4" - 12 UNC	48	159	92	2 3/4" - 16	19	130	1/2" - 13 UNC	14	53.8	35	
EDH-6010		257	60	39	87.4	56.2	2246	1388	438	695	6.1/4" - 12 UNC	48	159	92	2 3/4" - 16	25	130	1/2" - 13 UNC	14	53.8	45	
EDH-1001		95 (104.5)	38	93	60	135.2	87.1	514	331	165	203	-	-	212	127	4" - 16	25	178	5/8" - 11 UNC	19	79.2	33
EDH-1003	76		93	60	135.2	87.1	1027	662	254	330	8.3/8" - 12 UN	60	212	127	4" - 16	25	178	5/8" - 11 UNC	19	79.2	61	
EDH-1006	153		93	60	135.2	87.1	2069	1333	342	495	8.3/8" - 12 UN	60	212	127	4" - 16	25	178	5/8" - 11 UNC	19	79.2	79	
EDH-10010	257		93	60	135.2	87.1	3475	2239	460	717	8.3/8" - 12 UN	60	212	127	4" - 16	25	178	5/8" - 11 UNC	19	79.2	107	
EDH-1508	150 (159.5)	203	136	70	196.8	102	3995	2074	349	552	-	-	247	152.5	4 1/4" - 12	25	-	-	-	79.2	111	