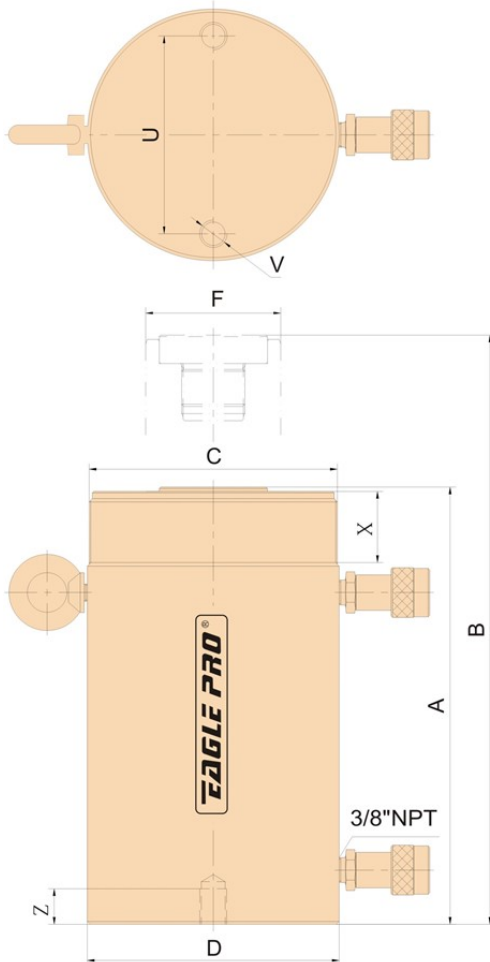


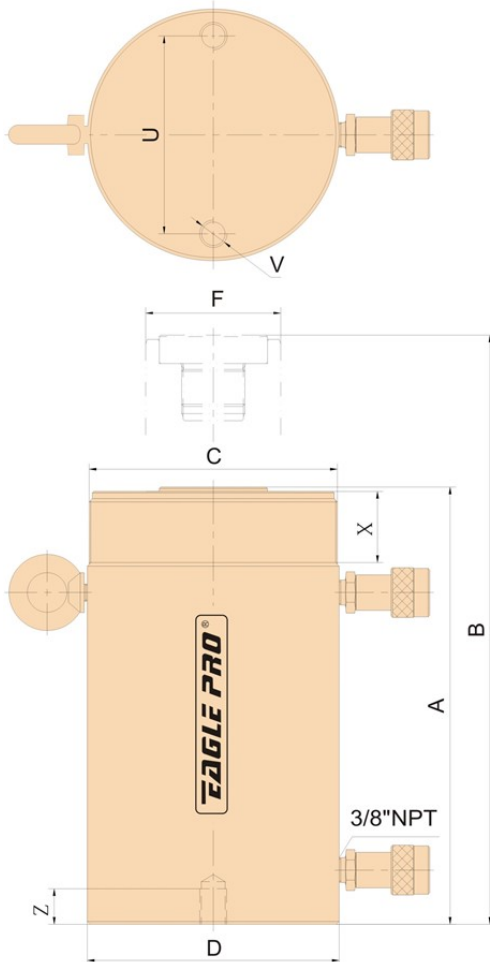
ED Series Hydraulic Cylinders



Imperial Measurements

MODEL	CYLINDER CAPACITY @ 10,000 PSI (700 BAR)	STROKE	MAX. CYLINDER CAPACITY		CYLINDER EFFECTIVE AREA		OIL CAPACITY		COLLAPSED HEIGHT	EXTENDED HEIGHT	COLLAR THREAD	COLLAR THREAD LENGTH	OUTSIDE DIAMETER	PISTON DIAMETER	BASE FIXTURING HOLES			WEIGHT
			ADVANCE	RETRACT	ADVANCE	RETRACT	ADVANCE	RETRACT							U	V	Z	
			METRIC TON (US TON)	IN	METRIC TON (US TON)	METRIC TON (US TON)	IN2	IN2							IN3	IN3	A	
ED-1010	10 (11)	10.00	10 (11)	4 (4.4)	2.25	0.76	22.47	7.59	16.10	26.10	2-1/4" -14UN	1.02	2.87	1.38	-	-	-	26.40
ED-1012		12.01	10 (11)	4 (4.4)	2.25	0.76	26.98	9.12	17.99	30.00	2-1/4" -14UN	1.02	2.87	1.38	-	-	-	30.80
ED-308	30 (33)	8.23	30 (33)	6 (6.6)	6.49	2.81	53.42	23.08	15.24	23.46	3-5/16" -12UN	1.93	4.13	2.17	-	-	-	44.00
ED-3014		14.49	30 (33)	6 (6.6)	6.49	2.81	94.06	40.63	21.61	36.10	3-5/16" -12UN	1.93	4.13	2.17	-	-	-	68.20
ED-506	50 (55)	6.14	50 (55)	16 (17.6)	10.99	3.19	67.47	19.60	13.03	19.17	5" -12UN	1.73	5.00	3.15	-	-	-	66.00
ED-5013		13.15	50 (55)	16 (17.6)	10.99	3.19	144.45	41.97	20.04	33.19	5" -12UN	1.73	5.00	3.15	-	-	-	114.40
ED-5020		20.12	50 (55)	16 (17.6)	10.99	3.19	221.00	64.21	28.86	48.98	5" -12UN	1.73	5.18	3.15	2.99	1/2" -13UNC	0.98	154.00
ED-756		6.14	75 (82.5)	25 (27.5)	16.10	5.12	98.87	31.40	13.66	19.80	5-3/4" -12UN	1.50	5.75	3.74	-	-	-	90.20
ED-7513	13.11	75 (82.5)	25 (27.5)	16.10	5.12	211.05	67.03	20.67	33.78	5-3/4" -12UN	1.50	5.75	3.74	-	-	-	149.60	
ED-1006	95 (104.5)	6.61	95 (104.5)	48 (52.8)	20.62	9.59	136.30	63.44	14.06	20.67	6-7/8" -12UN	1.97	6.97	3.74	5.47	3/4" -10UNC	0.98	134.20
ED-10013		13.11	95 (104.5)	48 (52.8)	20.62	9.59	270.16	125.74	20.63	33.74	6-7/8" -12UN	1.97	6.97	3.74	5.47	3/4" -10UNC	0.98	204.60
ED-10018		18.11	95 (104.5)	48 (52.8)	20.62	9.59	373.20	173.69	27.05	45.16	6-7/8" -12UN	1.97	6.97	3.74	5.47	3/4" -10UNC	0.98	257.40
ED-1502		2.24	140 (154)	75 (82.5)	31.16	15.07	69.89	33.80	7.72	9.96	-	-	8.03	4.53	-	-	-	107.80
ED-1506	140 (154)	6.14	140 (154)	75 (82.5)	31.16	15.07	191.27	92.50	15.16	21.30	8" -12UN	2.17	8.03	4.53	6.22	3/4" -16UNC	1.10	204.60
ED-15013		13.11	140 (154)	75 (82.5)	31.16	15.07	408.29	197.44	22.91	36.02	8" -12UN	2.17	8.03	4.53	6.22	3/4" -16UNC	1.10	272.80
ED-2006	200 (220)	5.98	200 (220)	108 (118.8)	43.94	21.76	262.86	130.18	16.93	22.91	-	-	9.78	5.31	5.00	1" -8UNC	0.98	323.40
ED-20013		12.99	200 (220)	108 (118.8)	43.94	21.76	570.69	282.63	23.94	36.93	9-3/4" -12UN	2.13	9.78	5.31	5.00	1" -8UNC	0.98	437.80
ED-3006		6.02	300 (330)	184 (202.4)	70.12	36.98	422.22	222.69	19.09	25.12	12-1/4" -12UN	2.28	12.28	6.50	6.22	1-1/4" -7UNC	1.73	440.00

ED Series Hydraulic Cylinders



Metric Measurements

MODEL	CYLINDER CAPACITY @ 10,000 PSI (700 BAR)	STROKE	MAX. CYLINDER CAPACITY		CYLINDER EFFECTIVE		OIL CAPACITY		COLLAPSED HEIGHT	EXTENDED HEIGHT	COLLAR THREAD	COLLAR THREAD LENGTH	OUTSIDE DIAMETER	PISTON DIAMETER	BASE FIXTURING HOLES			WEIGHT
			ADVANCE	RETRACT	ADVANCE	RETRACT	ADVANCE	RETRACT							BOLT CIRCLE	THREAD	THREAD DEPTH	
			METRIC TON (US TON)	MM	METRIC TON	METRIC TON	CM2	CM2							CM3	CM3	MM	
ED-1010	10 (11)	254	10	3	14.5	4.9	369	124.5	409	663	2.1/4" - 14 UN	26	73	35	-	-	-	12
ED-1012		305	10	3	14.5	4.9	443	149.5	457	762	2.1/4" - 14 UN	26	73	35	-	-	-	14
ED-308	30 (33)	209	31	6	44.2	20.4	923.8	426.4	387	596	3.5/16" - 12 UN	49	102	55	-	-	-	18
ED-3014		368	31	6	44.2	20.4	1626.6	769	549	917	3.5/16" - 12 UN	49	102	55	-	-	-	29
ED-506	50 (55)	156	49	14	70.8	20.6	1104.5	321.4	331	487	5" - 12 UN	44	127	80	-	-	-	30
ED-5013		334	49	14	70.8	20.6	2364.7	688	509	843	5" - 12 UN	44	127	80	-	-	-	52
ED-5020		511	49	14	70.8	20.6	3617.9	1052.7	733	1244	5" - 12 UN	44	127	80	76	1/2" - 13 UNC	25	68
ED-756	75 (82.5)	156	73	23	103.8	33	1619.3	514.8	347	503	5.3/4" - 12 UN	38	146	95	-	-	-	41
ED-7513		333	73	23	103.8	33	3456.5	1098.9	525	858	5.3/4" - 12 UN	38	146	95	-	-	-	68
ED-1006	95 (104.5)	168	91	43	132.7	61.8	2229.4	1038.2	357	525	6.7/8" - 12 UN	50	177	95	139	3/4" - 10 UNC	25	61
ED-10013		333	91	43	132.7	61.8	4418.9	2057.9	524	857	6.7/8" - 12 UN	50	177	95	139	3/4" - 10 UNC	25	93
ED-10018		460	91	43	132.7	61.8	6104.2	2842.8	687	1147	6.7/8" - 12 UN	50	177	95	139	3/4" - 10 UNC	25	117
ED-1502	140 (154)	57	140	68	201	97.1	1145.7	553.5	196	253	8" - 12 UN	-	204	115	-	-	-	49
ED-1506		156	140	68	201	97.1	3135.6	1514.8	385	541	8" - 12 UN	55	204	115	158	3/4" - 16 UNC	28	93
ED-15013		333	140	68	201	97.1	6693.3	3233.4	582	915	8" - 12 UN	55	204	115	158	3/4" - 16 UNC	28	124
ED-2006	200 (220)	152	198	98	283.4	140.3	5526.3	2132.6	430	582	-	-	247	135	127	1" - 8 UNC	25	147
ED-20013		330	198	98	283.4	140.3	11998	4629.9	608	938	9.3/4" - 12 UN	54	247	135	127	1" - 8 UNC	25	199
ED-3006	300 (330)	153	316	164	452.2	238.4	6918.7	3647.5	485	638	12.1/4" - 12 UN	58	311	165	158	1.1/4" - 7 UNC	44	200