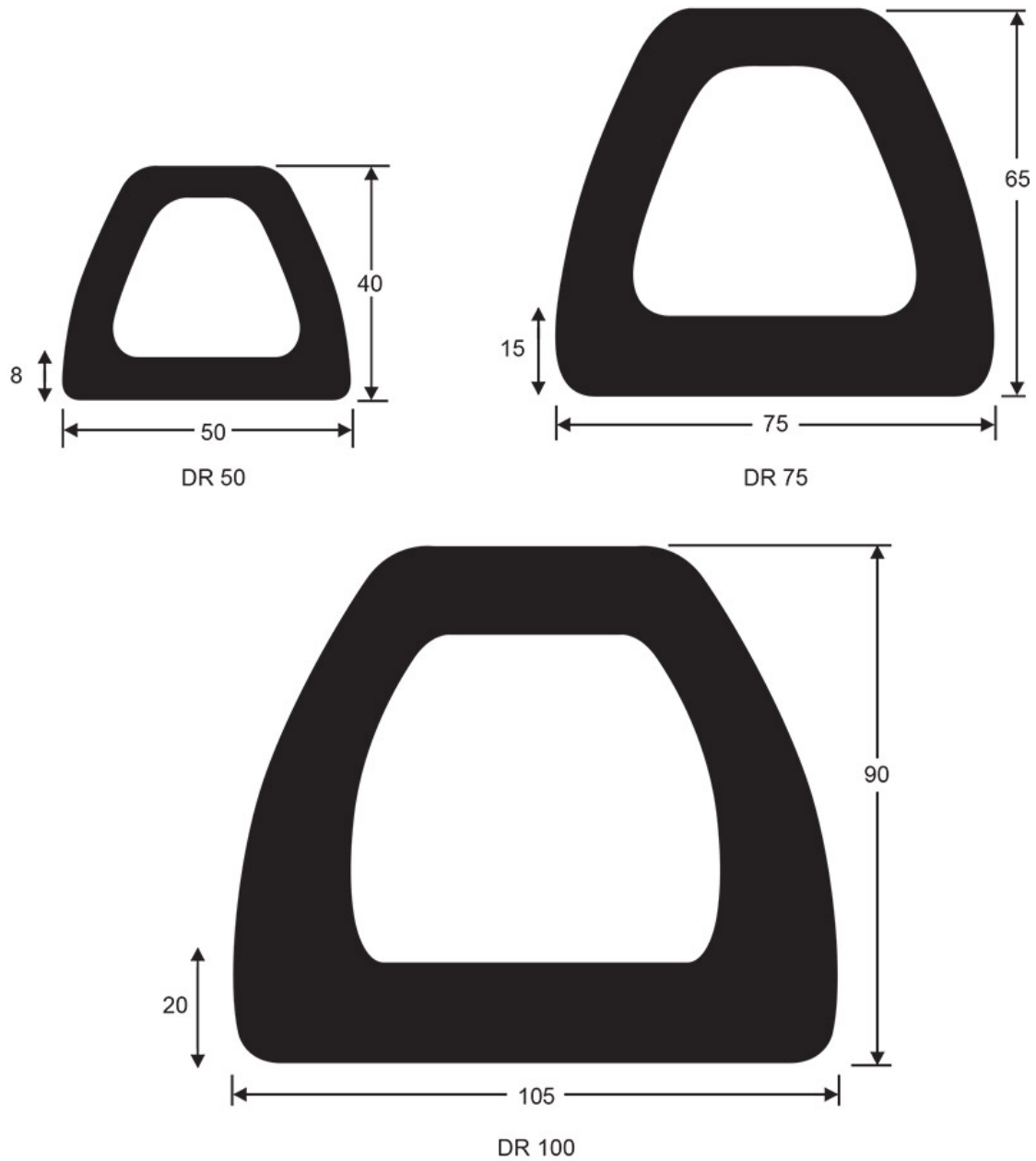


DOCKING RUBBER

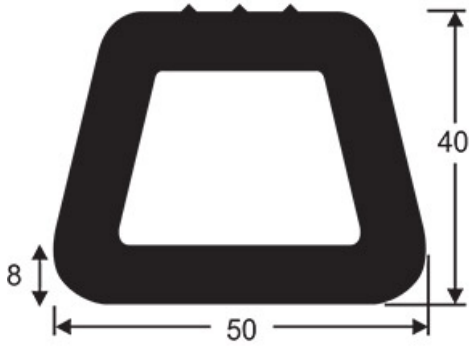


STANDARD 4 METRE LENGTHS

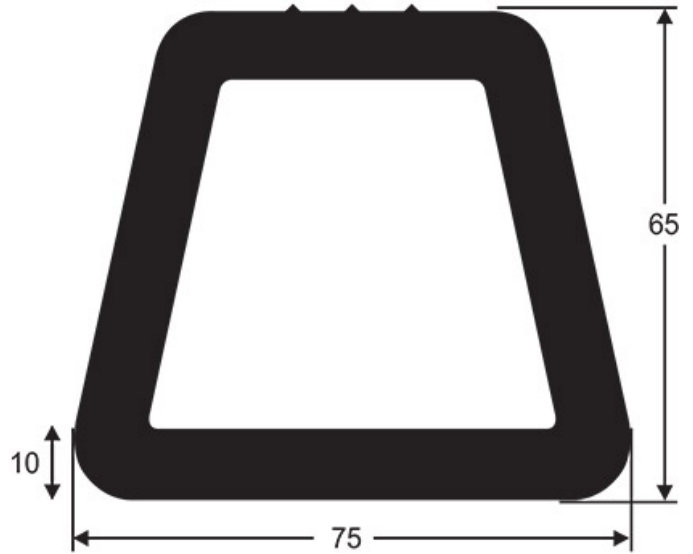
(also available in custom lengths, we can also supply with holes predrill, if required.)

Made in Australia

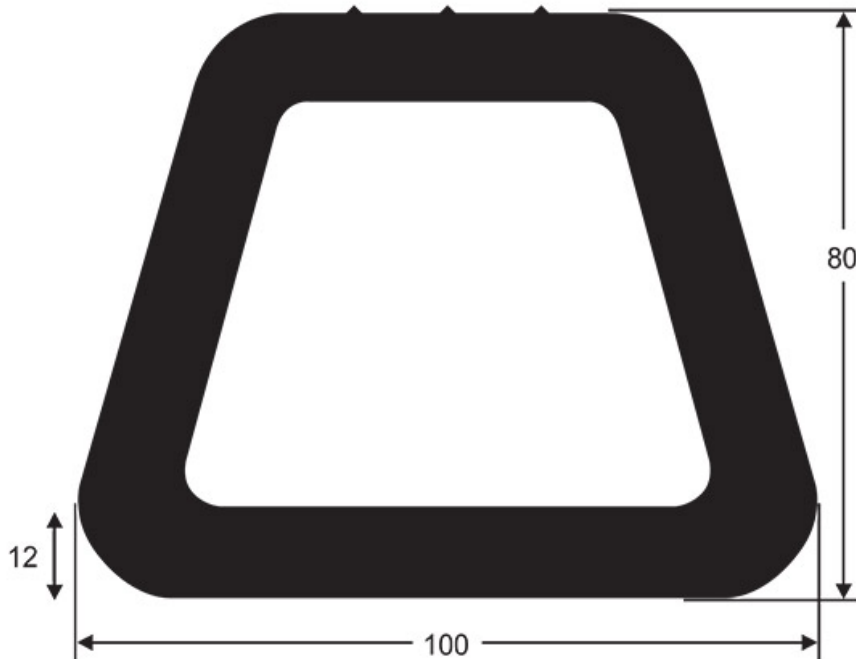
DOCKING RUBBER



DR 440



DR 441

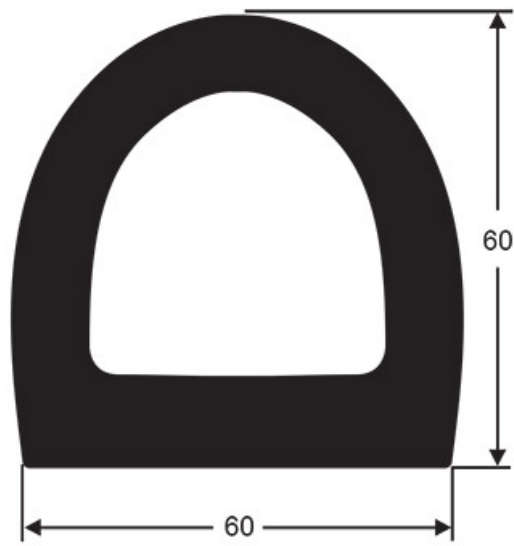


DR 442

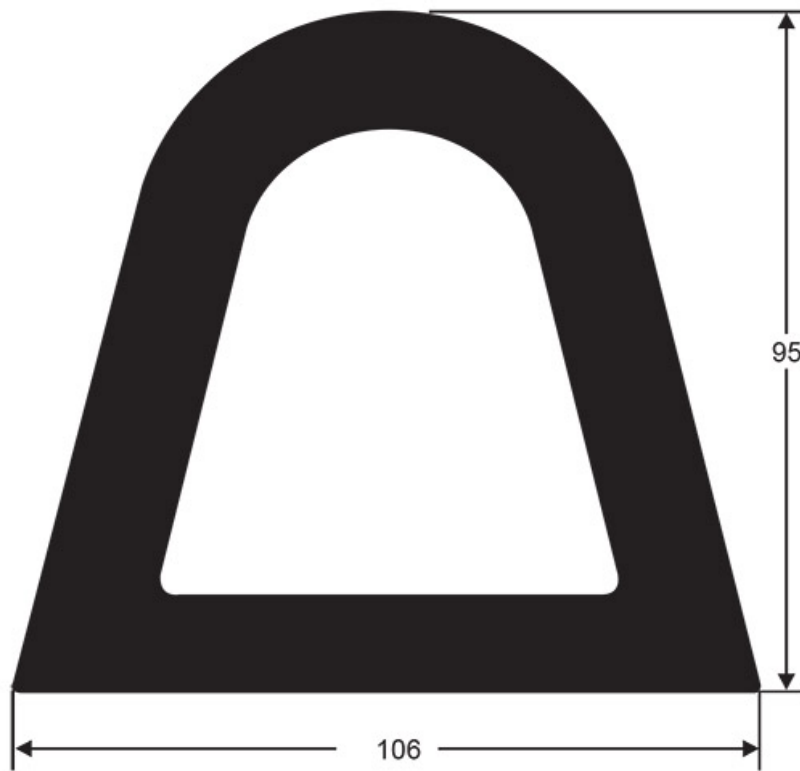
STANDARD 3 METRE LENGTHS

(also available in custom lengths)

Made in Australia



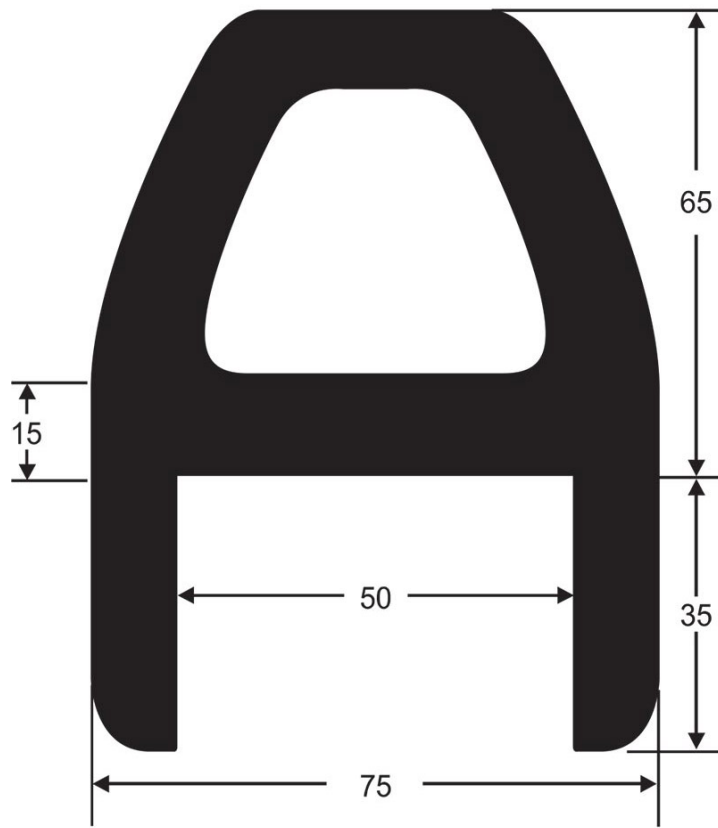
DR 60



DR 110

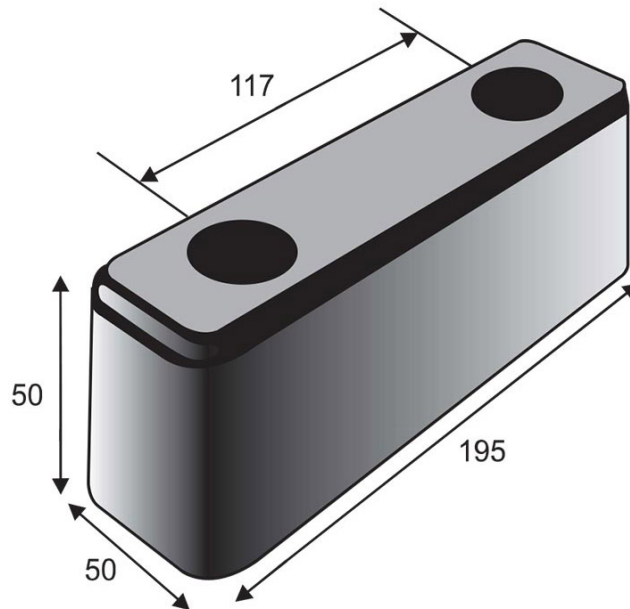
STANDARD 4 METRE LENGTHS

(also available in custom lengths)

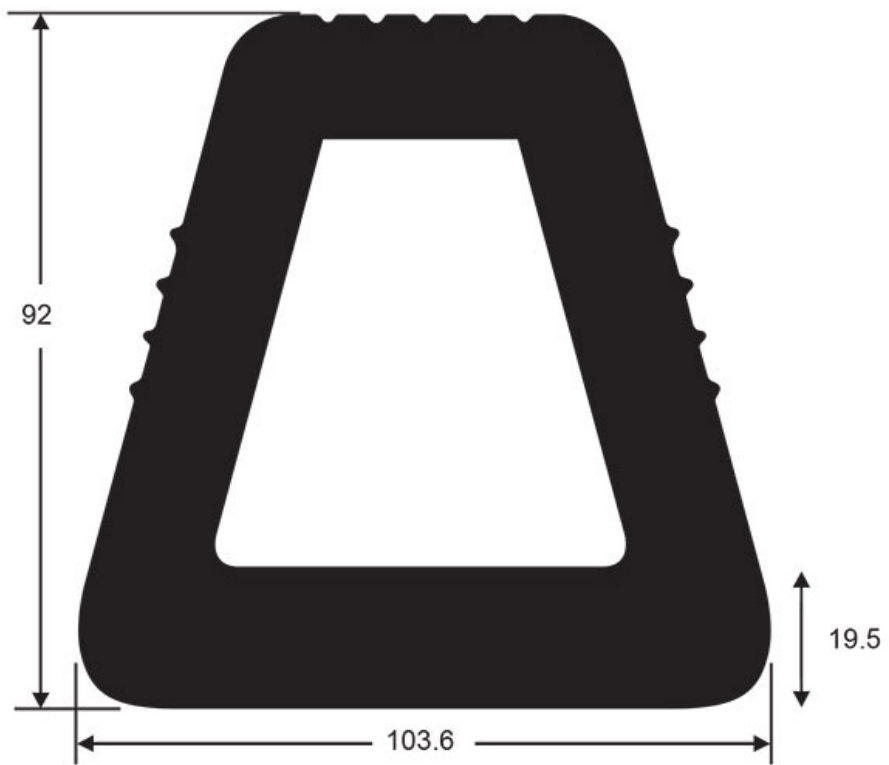


DR 777*

**non stock item minimum quantities apply.*



DR MDR50



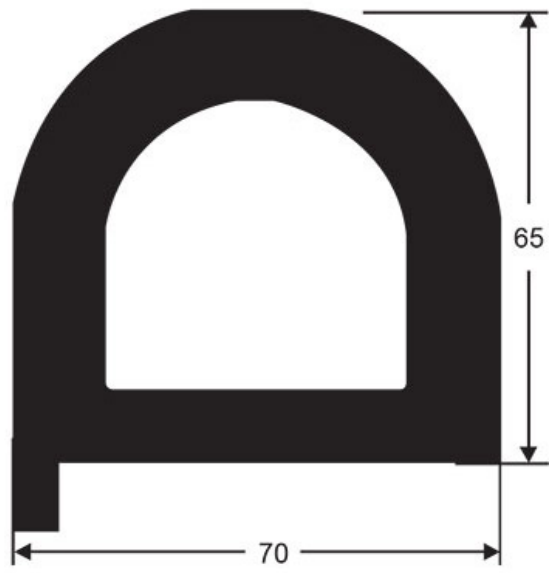
DR 554

STANDARD 3 METRE LENGTHS
 (also available in custom lengths)



DR 35*

STANDARD 30 METRE COIL

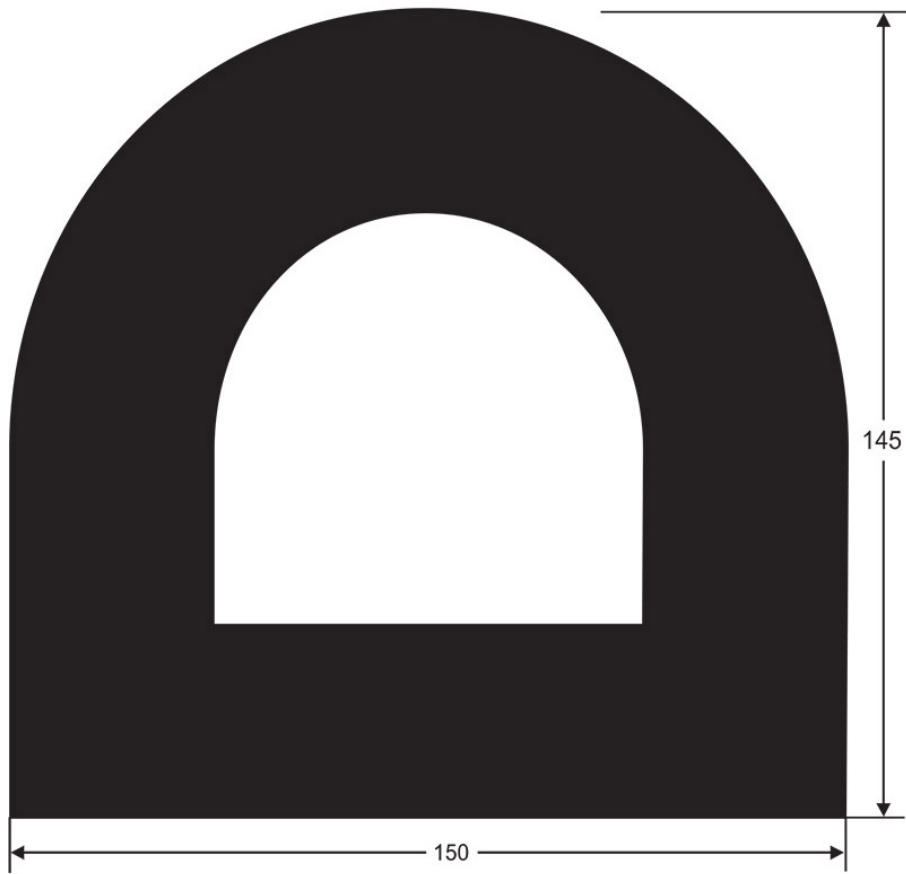


DR 1168*

(also available in custom lengths)

150

**non stock item minimum quantities apply.*



DR 150

STANDARD 4 METRE LENGTHS

(also available in custom lengths)