

DirectAir™



Include the best
Air Diffusers in
your next
building plans.

Insist on
Paltech



- Updated design for quiet efficient air flow control
- Contemporary styling
- Easy installation
- Heating or air-conditioning application
- All new modern, exclusive design

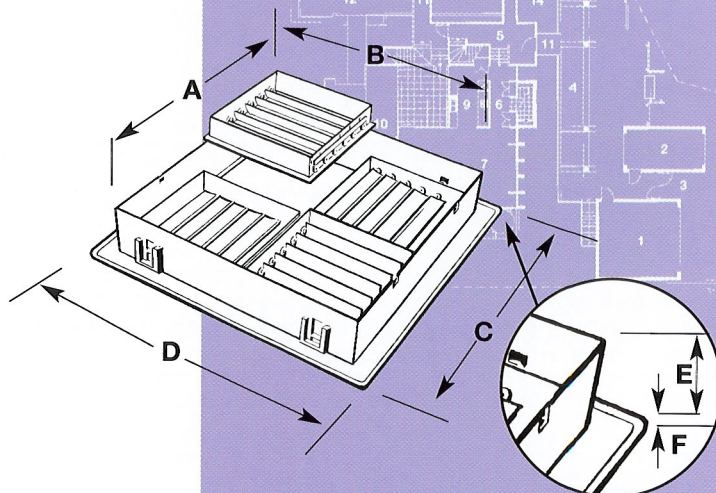
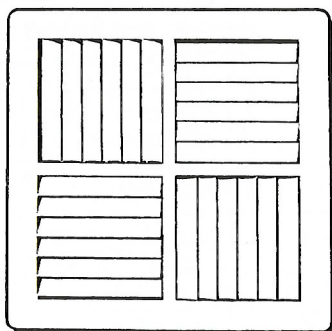
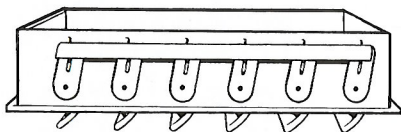


PALTECH

MULTI DIRECTIONAL OUTLETS

DirectAir™

Maximises your Heating/Cooling Systems



MDO									
Model	A	B	C	D	E	F	Duct Adaptors		
601	221	221	270	270	59	4	150	200	
611	307	307	358	358	59	4	200	250	300
621	358	358	408	408	59	4	300	350	400
631	393	393	442	442	59	4	350	400	
641	393	587	442	636	59	4	400	450	500
651	358	535	408	585	59	4	400	450	

- **Less noise**
- **Lower air resistance**
- **Plus the flexibility of delivering air where and when you want it**

The updated design of the Paltech 'DirectAir' diffuser features a patented inner frame/louvre blade mechanism and a patented mounting system.

The fully adjustable curved louvres allow the blade angle to be adjusted from completely open to completely closed with all blades operating in unison.

The patented blade mechanism is easy to operate and provides smooth adjustment throughout the entire range eliminating the problem of jamming common to conventional multi directional outlets.

The aerodynamically curved blades of the 'DirectAir' deliver air with less noise and lower air resistance than conventional multi directional outlets. The updated design eliminates noise due to rattles by clipping the inner frames into the main diffuser housing.

The contemporary styling of the 'DirectAir' features rounded edges to enhance any decor. The low profile design of the louvres ensures a sleek unobtrusive appearance.

'DirectAir' has been developed with the installer in mind ... the new patented 'Loc-it-in' mounting system works in the widest range of plaster (including 20mm double panel) and provides a firmer fit to minimise gaps on uneven surfaces making it simple to operate and easy to install.

The Paltech 'DirectAir' is designed and manufactured in Australia to the very highest standards, and is covered by a ten year unconditional replacement warranty to be free from manufacturing defects.



A product of
 Paltech Corporation Pty. Ltd.
 P.O. Box 372, North Balwyn, Vic. 3104
 Ph: (03) 9894 4444 Fax: (03) 9894 4445
 email: info@paltech.com.au www.paltech.com.au