



A wide variety of models offer the perfect freedom of choosing the most suitable one.

**Major Standard Specifications**

Item		Discharge bore (mm)				
		80	100	150	200	250
Pumping fluid	Type of fluid	Rain water, Ground water, Sand carrying water				
	Liquid temperature	0 ~ 40°C				
Pump	Components	Impeller	Semi-open type, Closed type (KRS1022)			
		Shaft seal	Double mechanical seal			
		Bearing	Shielded ball bearing			
	Materials	Impeller	Ductile iron casting			
		Casing	Gray iron casting			
		Suction cover	Gray iron casting			
Motor	Shaft seal (mechanical seal)	Silicon carbide				
	Type, Poles	Dry-type submersible induction motor, 4 poles				
	Insulation	Class E, B, F				
	Phase / Voltage	Three-phase / 220V, 380V, 400V, 415V, 440V, 460V				
	Motor protector (Built-in)	Circle thermal protector				
	Lubricant	Turbine oil (ISO VG32)				
	Materials	Frame	Gray iron casting			
Shaft		Stainless steel #420				
Cable		Chloroprene rubber				
Discharge connection		Hose coupling				

**Standard Accessories**

- Cabtyre cable ..... 1 pc
- Hose coupling ..... 1 pc

**Optional Specifications**

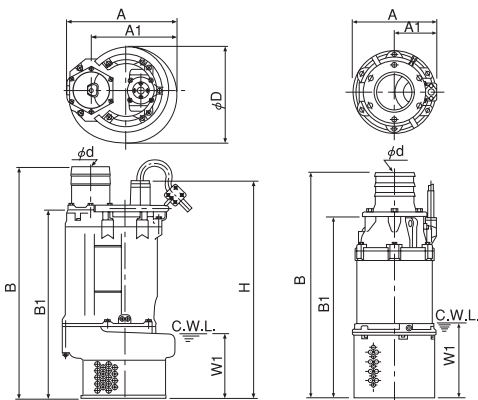
- Extended cable
- Special paint

**Dimensions Unit:mm**

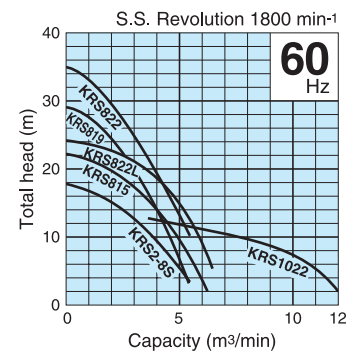
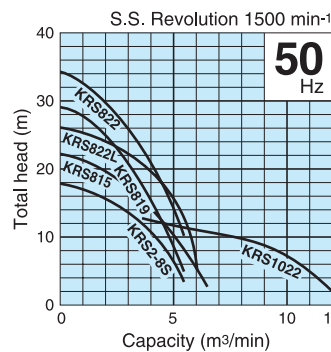
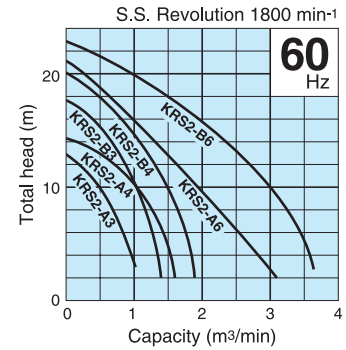
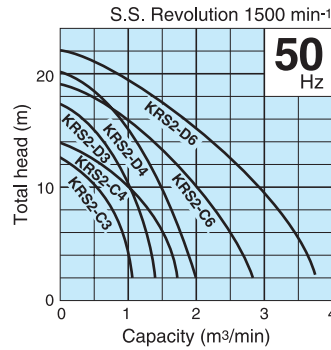
C.W.L.: Continuous Running Water Level

Other types than KRS1022

KRS1022



**Performance Curves**



**Specifications 50/60Hz**

Discharge Bore mm	Model	Motor Output kW	Phase	Total Head m	Capacity m³/min	Starting Method	Dry Weight kgs	Length of Cabtyre Cable m
80	KRS2-C3/A3	2.2	Three-phase	10	0.5	D.O.L.	72	8
80	KRS2-D3/B3	3.7	Three-phase	15	0.5	D.O.L.	91/89	8
100	KRS2-C4/A4	3.7	Three-phase	10	1.0	D.O.L.	88	8
100	KRS2-D4/B4	5.5	Three-phase	15	1.0	D.O.L.	98/95	8
150	KRS2-C6/A6	7.5	Three-phase	10	2.0	D.O.L.	130	8
150	KRS2-D6/B6	11	Three-phase	15	2.0	D.O.L.	158/150	8
200	KRS2-8S	11	Three-phase	10	4.0	D.O.L.	174	8
200	KRS815	15	Three-phase	15	4.0	D.O.L.	235	8
200	KRS819	18.5	Three-phase	20/15	3.0/4.0	D.O.L.	385	10
200	KRS822	22	Three-phase	30/20	2.0/4.0	D.O.L.	390	10
200	KRS822L	22	Three-phase	15	5.0	D.O.L.	390	10
250	KRS1022	22	Three-phase	10	8.0	D.O.L.	450	10

• Dry weight of the pump excluding cable.

Model	d	A	A1	B	B1	D	H	W1
KRS2-C3/A3	80	340	255	620	499	315	600	145
KRS2-D3	80	365	275	705	584	350	685	155
KRS2-B3	80	350	260	705	584	320	685	155
KRS2-C4/A4	100	350	260	720	584	320	685	155
KRS2-D4	100	365	275	710	574	350	675	155
KRS2-B4	100	350	260	710	574	320	675	155
KRS2-C6	150	415	305	767	585	373	685	175
KRS2-A6	150	415	305	767	585	373	685	175
KRS2-D6	150	434	324	813	632	407	744	180
KRS2-B6	150	415	305	812	630	373	742	175
KRS2-8S	200	472	356	933	701	403	814	300
KRS815	200	481	347	1069	837	440	949	275
KRS819	200	572	445	1238	1006	530	1156	345
KRS822	200	572	445	1238	1006	530	1156	345
KRS822L	200	572	445	1238	1006	530	1156	345
KRS1022	250	520	250	1439	1156	—	—	450